

# 10A/30A

## Slip ring collector



Slip ring collector consisting of rings coupled with brushes, designed to transfer current from a fixed to a rotating part and used to supply crane motors and cable winders.

### FEATURES

- Suitable for transmitting current with 50/60 Hz frequency.
- Suitable for transmitting audio, RS485 or CAN signals.
- The enclosure features small downward holes for air circulation and to prevent problems due to moisture.
- The lower support plate is provided with three holes to drain any moisture that may form inside the unit.
- The enclosure is made of shock-resistant thermoplastic material to prevent contact with live electrical parts.
- IP protection degree: collector 10A/30A is classified IP 22.
- Extreme temperature resistance: -25°C to +70°C.

### OPTIONS

- Up to 40 rings coupled with brushes.
- Available with 30A line rings only or with 30A line rings and 10A auxiliary rings.
- Fitted with phosphor bronze or graphite brushes, for better duration performances

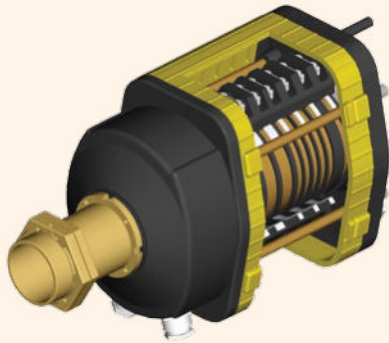
### CERTIFICATIONS

- CE marking.

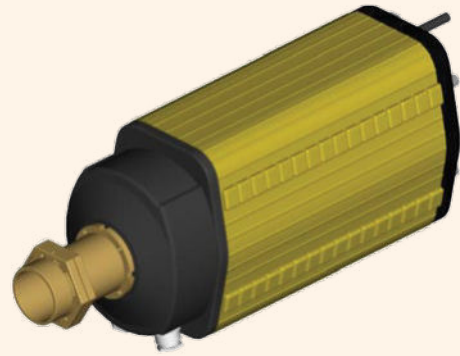
Fill in the "request form" for accurate product configuration.

## POSSIBLE ASSEMBLIES

Standard (section view)



Standard 16 rings



## CERTIFICATIONS

Conformity to Community Directives	2014/35/UE Low Voltage Directive
	2006/42/CE Machinery Directive
Conformity to CE Standards	EN 60204-1 Safety of machinery - Electrical equipment of machines
	EN 60309-1 Plugs, socket-outlets and couplers for industrial purposes - General requirements
	EN 60529 Degrees of protection provided by enclosures
Markings and homologations	CE

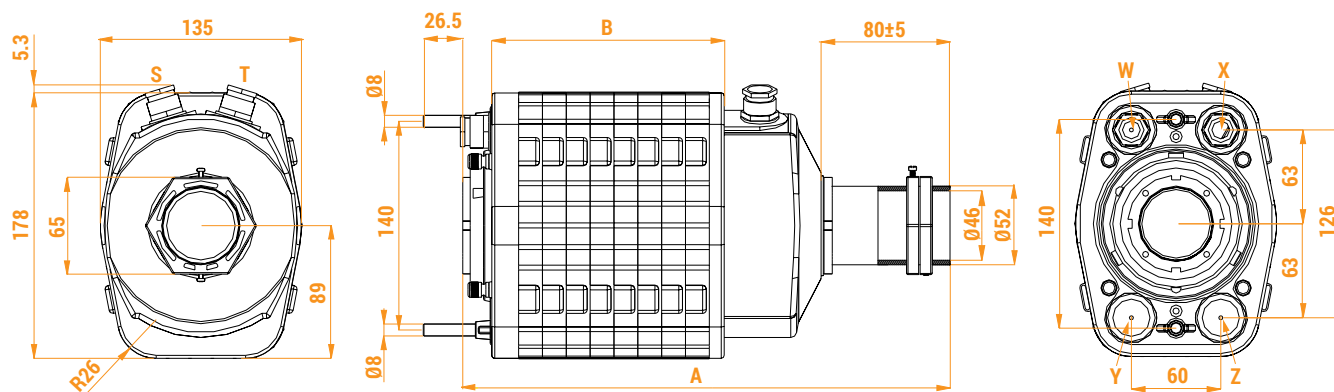
## GENERAL TECHNICAL SPECIFICATIONS

Ambient temperature	Storage -40°C/+70°C
	Operational -25°C/+70°C
IP protection degree	IP 22
Insulation category	Class I
Operating positions	Any position
Cable entry	Cable glands M20
	Cable glands M25

## ELECTRICAL SPECIFICATIONS

Rated operational current	10 A - 30 A
Rated operational voltage	400 Vac
Rated insulation voltage	660 Vac
Max. speed	3 rpm (phosphor bronze brushes)
	5 rpm (graphite brushes)
Connections	Terminals with Ø 4 mm hole
	Terminals with M4 screw accepting ring connectors
Signals	Audio
	RS-485 - 57.6 Kbaud max
	CAN - 1 Mb max

## STANDARD SLIP RING COLLECTORS AND OVERALL DIMENSIONS (mm)



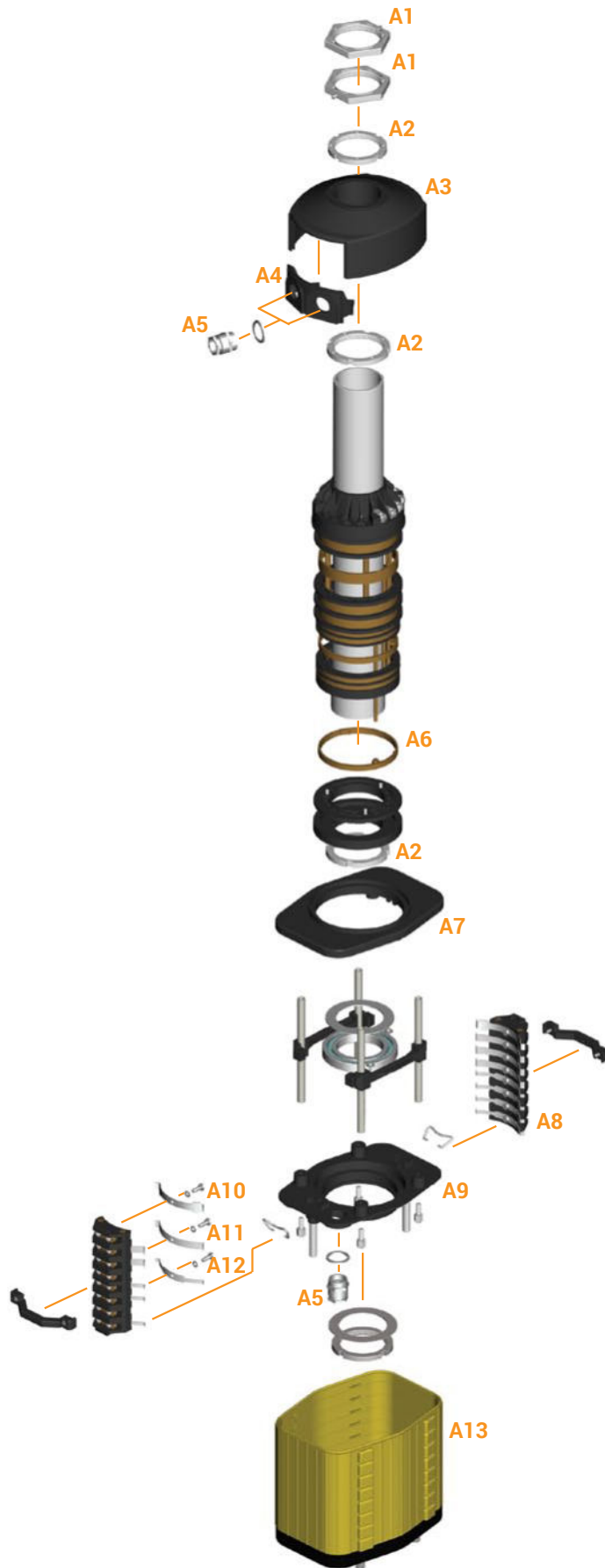
### 10A and 30A rings

No. of 10A rings	No. of 30A rings	Type and position of cable glands						Code with phosphor bronze brushes	Code with graphite brushes	Dimensions (mm)	
		S	T	W	X	Y	Z			A	B
1	4	M20	-	M20	-	-	-	PF2305B001	PF2305K001	275	108
2	4	M20	-	M20	-	-	-	PF2306B003	PF2306K002	290	124
3	4	M20	M20	M20	-	-	M20	PF2307B002	PF2307K003	290	124
4	4	M20	M20	M20	-	-	M20	PF2308B001	PF2308K007	310	140
5	4	M20	M20	M20	-	-	M20	PF2309B001	PF2309K005	310	140
6	4	M20	M20	M20	-	-	M20	PF2310B001	PF2310K003	325	156
7	4	M20	M20	M20	-	-	M20	PF2311B001	PF2311K001	325	156
8	4	M20	M20	M20	-	-	M20	PF2312B001	PF2312K003	340	172
9	4	M20	M20	M20	-	-	M20	PF2313B002	PF2313K002	340	172
10	4	M20	M20	M20	-	-	M20	PF2314B001	PF2314K003	355	188
11	4	M20	M20	M20	-	-	M20	PF2315B002	PF2315K002	355	188
12	4	M20	M20	M20	-	-	M20	PF2316B001	PF2316K003	370	204
Max number of rings: 40										595	396

### 30A rings

No. of 30A rings	Type and position of cable glands						Code with phosphor bronze brushes	Code with graphite brushes	Dimensions (mm)		
	S	T	W	X	Y	Z			A	B	
3	M20	-	M20	-	-	-	PF2303B001	PF2303K001	260	92	
4	M20	-	M20	-	-	-	PF2304B001	PF2304K002	275	108	
5	M20	-	M20	-	-	-	PF2305B002	-	290	124	
6	M20	-	M20	-	-	-	PF2306B002	PF2306K001	310	140	
7	M20	M20	M20	M20	-	-	PF2307B001	PF2307K007	325	156	
8	M20	M20	M20	M20	-	-	PF2308B003	PF2308K004	340	172	
9	M20	M20	M20	M20	-	-	PF2309B002	PF2309K004	355	188	
10	M20	M20	M20	M20	-	-	PF2310B003	PF2310K006	370	204	
11	M20	M20	M20	M20	-	-	PF2311B002	-	385	220	
12	M20	M20	M20	M20	-	-	PF2312B002	PF2312K004	405	236	
13	M20	M20	M20	M20	-	-	PF2313B003	PF2313K004	420	252	
14	M20	M20	M20	M20	-	-	PF2314B003	PF2314K004	435	268	
15	M20	M20	M20	M20	-	-	PF2315B005	PF2315K017	450	284	
16	M20	M20	M20	M20	-	-	PF2316B004	-	465	300	
Max number of rings: 20										530	364






## ASSEMBLY DRAWING





Refer to the following tables for descriptions of components: "Brushes and rings", "Cable glands" and "Accessories".

## COMPONENTS



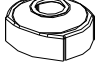



### Brushes and rings

Ref.	Drawing	Description	Code
A6		Auxiliary ring 10A	PRSL4060PE
		Line ring 30A	PRSL4064PE
A8		Brush-holder with brushes	Codes on request
A10		Earth phosphor bronze brush	PRSL4058PIT
A11		Line phosphor bronze brush	PRSL4058PI
A12		Auxiliary phosphor bronze brush	PRSL4061PI
		Auxiliary graphite brush (2 brushes used as line brush)	PRVV9075PE

### Cable glands

Ref.	Drawing	Description	Code
A4		Cable gland support	PRSL9060PI
A5		Cable gland M20	PRPS1075PE
		Cable gland M25	PRPS1076PE

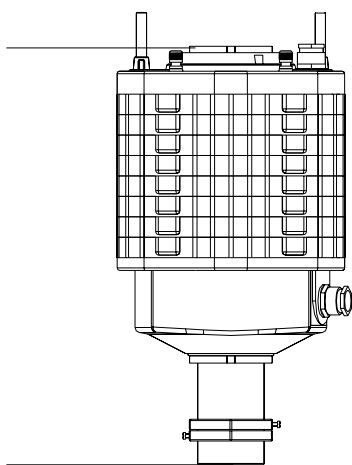
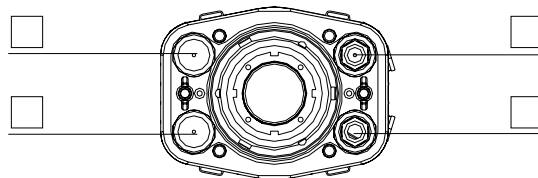
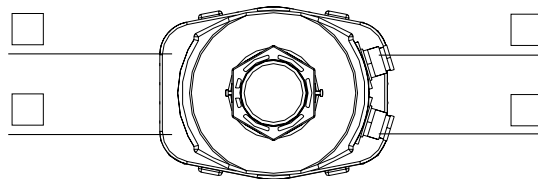
### Accessories

Ref.	Drawing	Description	Code
A1		Nut	PRSL4010PE
A2		Ring - pitch 1.5	PRSL4001PE
A3		Cover - 1 hole	PRSL5665PI
		Cover - 2 holes	PRSL5670PI
A7		Upper plate	PRSL4056PE
A9		Lower plate	PRSL4055PE
A13		Protection	Codes on request

**10A/30A - REQUEST FORM FOR NON STANDARD SLIP RING COLLECTOR****Rings**

No. of 30A rings \_\_\_\_\_

No. of 10A rings \_\_\_\_\_

**Brushes** Graphite Phosphor bronze**Tube length****Cable glands** 1 M20 2 M25**Instructions**

- Write the number of 30A and 10A rings and the type of brushes required.
- Write the length of the input and output tube required, when different from the length shown in the overall dimensions.
- Write the type of cable glands required on the upper cover and on the lower plate.

**Remarks**

---

---

---

---

---

---

---

---

---

---

---

---

---

---

---

---

---

---

---

---

---

---

---

---

---

---

---

---

---

---